

BOXER  
2-4  
3-6



99730-10

**GEZE**

**1**

**2**

20,7

**3**

4 mm

2x M8x14

**4**

3 mm

1-2 Nm

**5**

5 mm

7-8,5 Nm

7-8,5 Nm

**6**

45°

45°

**7**

4x 5x20

4x M5x14

**8**

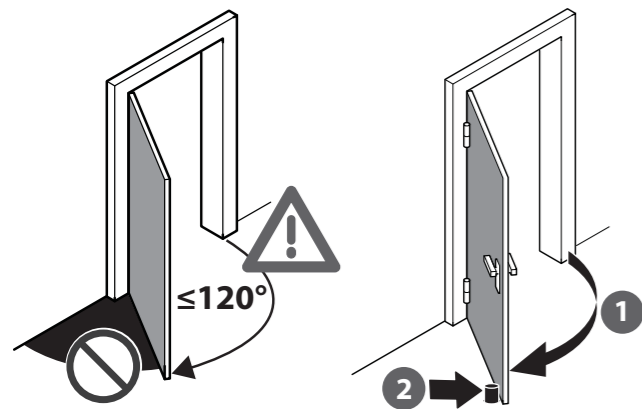
2x 4,5x30

2x M5x14

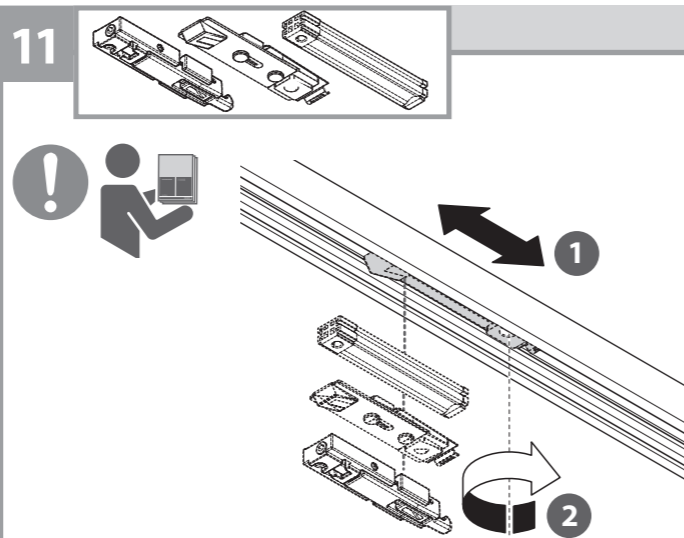
**9**

7-8,5 Nm

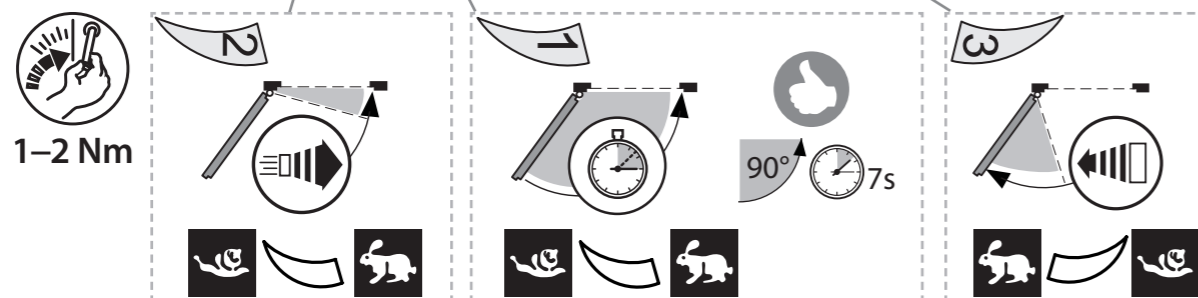
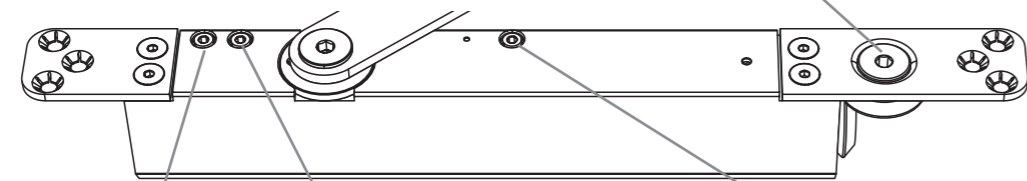
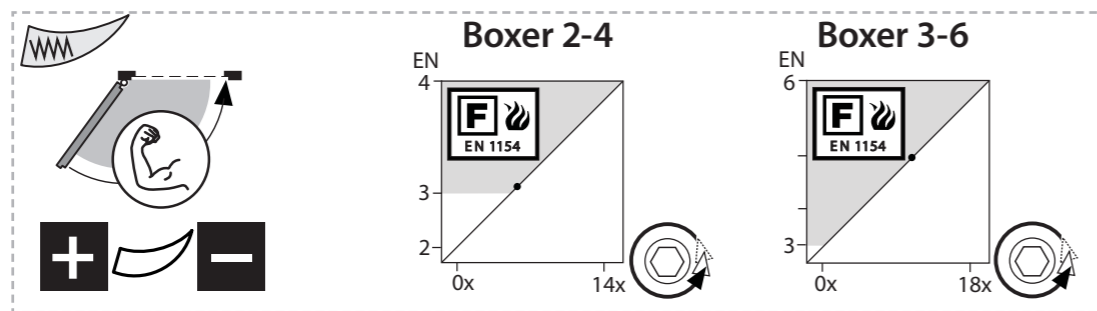
10



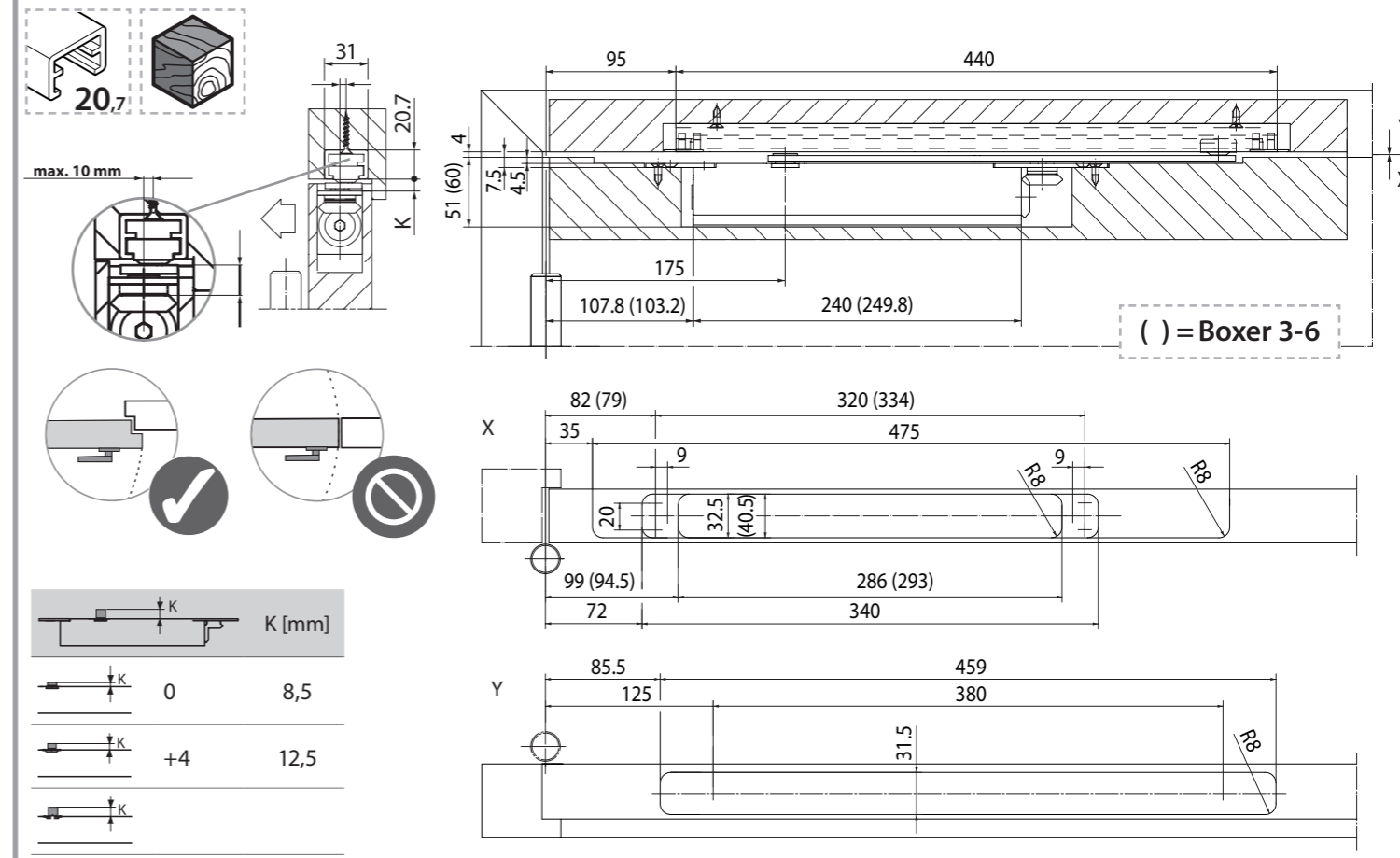
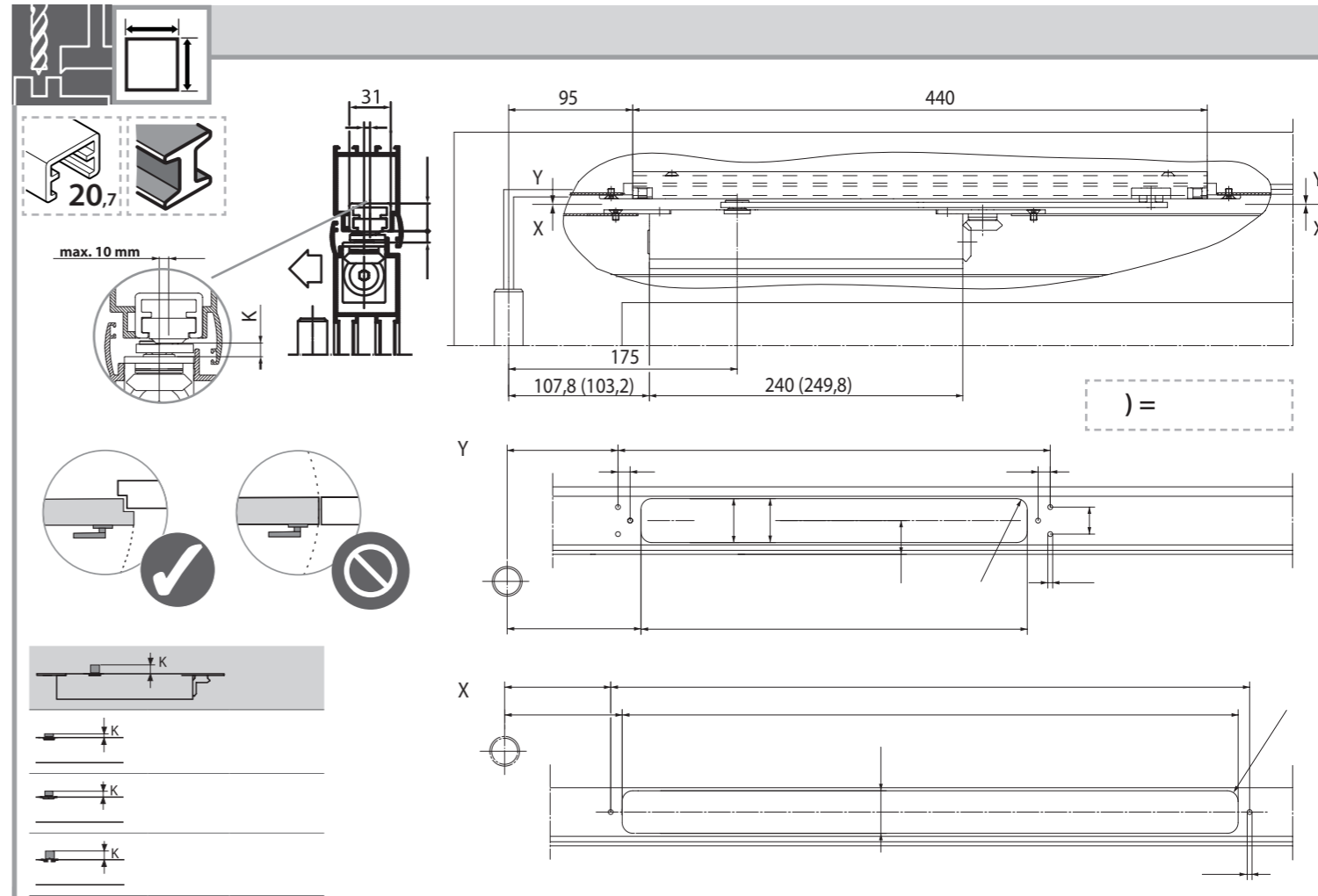
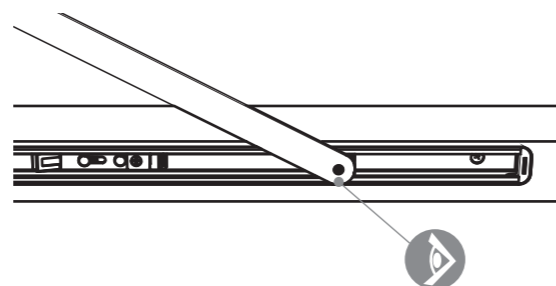
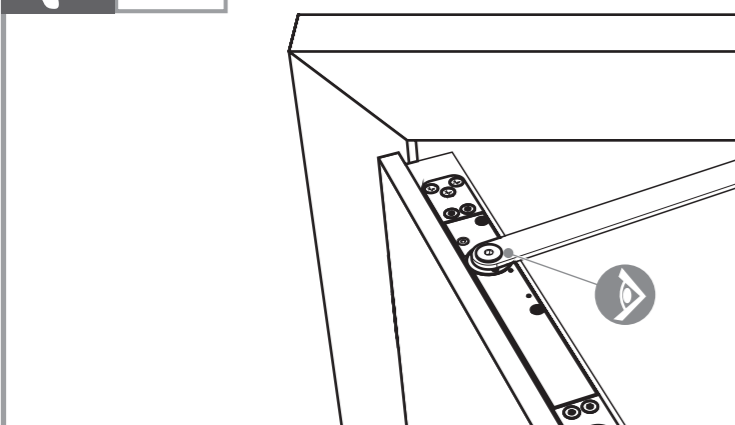
11



12



12



GEZE GmbH  
Reinhold-Vöster-Strasse 21-29  
71229 Leonberg  
Germany

